



Sit Stand Desktop Station WF024B/WF024W

Easy desk/ tabletop solution



PRODUCT OVERVIEW

Product Description:

The Dyconn WF024B Ergonomic Desktop Sitting and Standing desk solution. It quickly and easily converts your current desk or tabletop into an easy to setup standing or sitting desk.

Helps improve your posture and remain healthy when sitting or standing at your work environment. Strong and Sturdy with an easy lever activated pneumatic height adjustment.

Product Features:

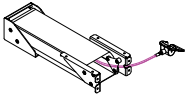
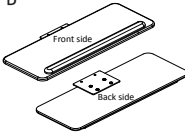
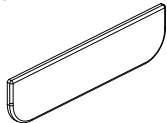
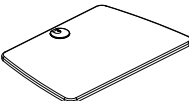
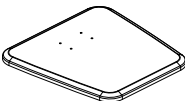
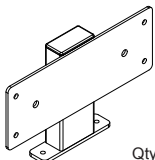
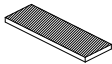
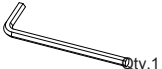
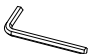




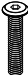
- Integrated Cable Management
- Made of Solid Steel Material and Wood Platform for maximum load support
- Unique braking system using the easy lever to simultaneously lift or lower keyboard and monitor to the perfect height
- Adjustable Tension for personal comfort of ease of lift and lowering
- Wood top platform size: 23.6" W x 15.74" D (600mm x 400mm)
- KB Platform size: 23.6" W x 9.05" D (600mm x 230mm)
- Height adjustment range: 16.7" (423mm)
- Works with most monitor clamp mounts if desired

Packages Content:

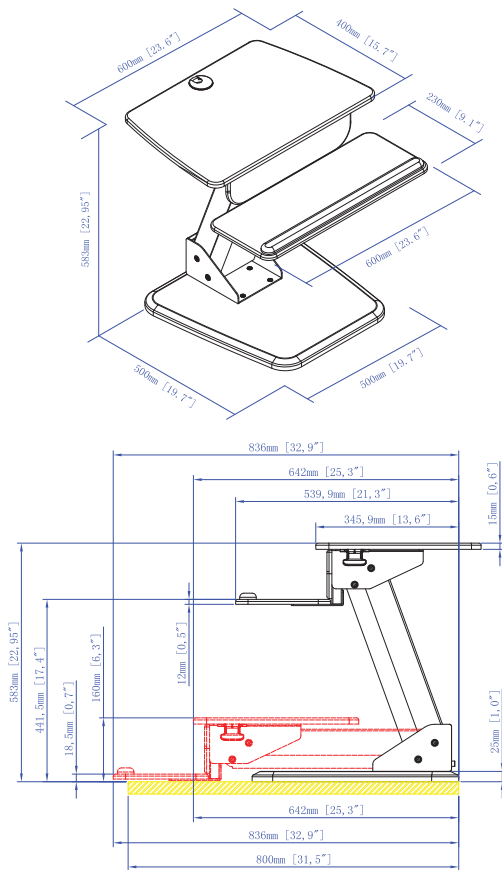
WF024B/ WF024W Desktop Station
Installation Guide
Mounting Hardware

CONTENT

Contents

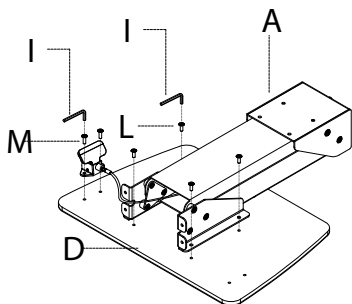
<p>A</p>  <p>Qty.1</p>	<p>B</p>  <p>Qty.1</p>	<p>C</p>  <p>Qty.1</p>
<p>D</p>  <p>Qty.1</p>	<p>E</p>  <p>Qty.1</p>	<p>F</p>  <p>Qty.1</p>
<p>G</p>  <p>Qty.2</p>	<p>H</p>  <p>Qty.1</p>	<p>I</p>  <p>Qty.1</p>
<p>J</p>  <p>Qty.4</p>	<p>K</p>  <p>Qty.2</p>	<p>L</p>  <p>Qty.10</p>
<p>M</p>  <p>Qty.2</p>	<p>N</p>  <p>Qty.4</p>	

PRODUCT DIAGRAM

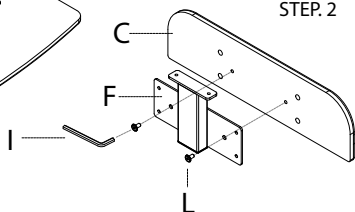


INSTALLATION

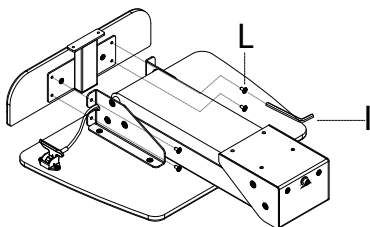
STEP. 1



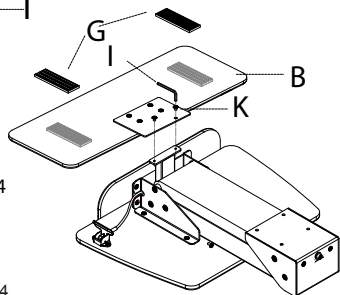
STEP. 2



STEP. 3



STEP. 4



STEP. 5



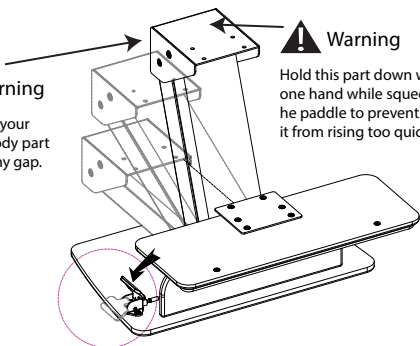
Warning

Do not put your finger or body part between any gap.

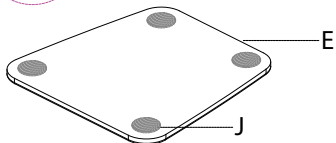


Warning

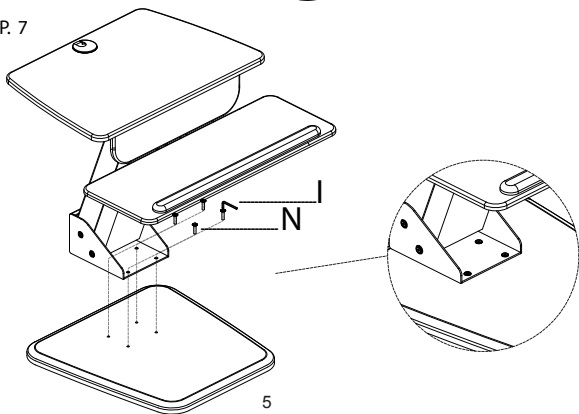
Hold this part down with one hand while squeezing the paddle to prevent it from rising too quickly.



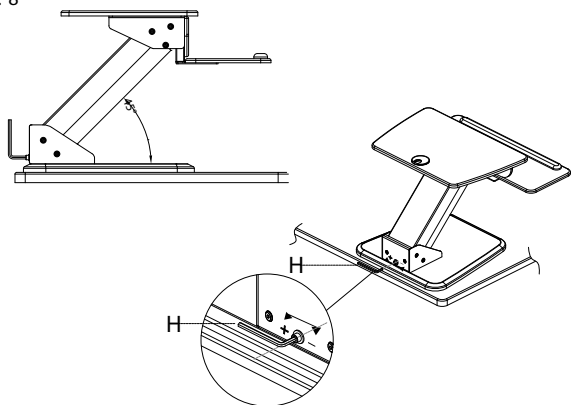
STEP. 6



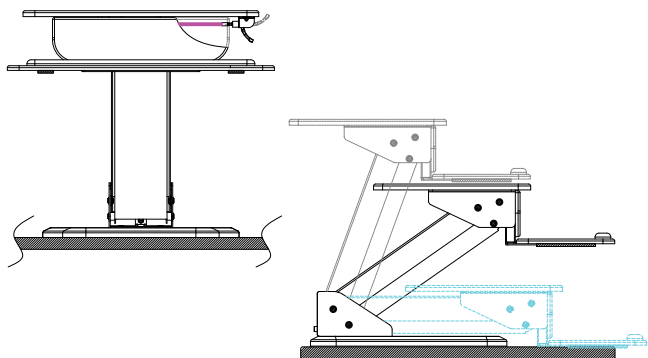
STEP. 7



STEP. 8



STEP. 9



DYCONN LIMITED WARRANTY

DYCONN warrants only to the original purchaser of this product from a Dyconn authorized reseller or distributor that this product will be free from defects in material and workmanship under normal use and service for (1) one-year after date of purchase. Purchaser must present acceptable proof of original ownership (such as original receipt, warranty card registration, on-line registration, or other documentation Dyconn deems acceptable) for the product. DYCONN, at its option, shall repair or replace the defective unit covered by this warranty. In order to keep this limited warranty in effect, the product must have been handled and used as prescribed in the instructions accompanying this warranty. This limited warranty does not cover any damage due to accident, misuse, abuse or negligence. This limited warranty is non-transferable and does not apply to any purchaser who bought the product from a reseller or distributor not authorized by Dyconn, including but not limited to purchases from internet auction sites. This warranty does not affect any other legal rights you may have by operation of law. Contact DYCONN at 1-(855) 839-2666 for warranty service procedures.

DISCLAIMER OF WARRANTY EXCEPT FOR THE LIMITED WARRANTY PROVIDED HEREIN, TO THE EXTENT PERMITTED BY LAW, DYCONN DISCLAIMS ALL WARRANTIES, EXPRESS OR IMPLIED, INCLUDING ALL WARRANTIES OF MERCHANTABILITY AND/OR FITNESS FOR A PARTICULAR PURPOSE. TO THE EXTENT THAT ANY IMPLIED WARRANTIES MAY NONETHELESS EXIST BY OPERATION OF LAW, ANY SUCH WARRANTIES ARE LIMITED TO THE DURATION OF THIS WARRANTY. SOME STATES/PROVINCES DO NOT ALLOW LIMITATIONS ON HOW LONG AN IMPLIED WARRANTY LASTS, SO THE ABOVE LIMITATIONS MAY NOT APPLY TO YOU. LIMITATION OF LIABILITY REPAIR OR REPLACEMENT OF THIS PRODUCT, AS PROVIDED HEREIN, IS YOUR EXCLUSIVE REMEDY. DYCONN SHALL NOT BE LIABLE FOR ANY SPECIAL, INCIDENTAL OR CONSEQUENTIAL DAMAGES, INCLUDING, BUT NOT LIMITED TO, LOST REVENUES, LOST PROFITS, LOSS OF USE OF ANY SPECIAL, INCIDENTAL OR CONSEQUENTIAL DAMAGES, INCLUDING, BUT NOT LIMITED TO, LOST REVENUES, LOST PROFITS, LOSS OF USE OF SOFTWARE LOSS OR RECOVERY OF DATA, RENTAL OF REPLACEMENT EQUIPMENT, DOWNTIME, DAMAGE TO PROPERTY, AND THIRD-PARTY CLAIMS, ARISING OUT OF ANY THEORY OF RECOVERY, INCLUDING WARRANTY, CONTRACT, STATUTORY OR TORT. NOTWITHSTANDING THE TERM OF ANY LIMITED WARRANTY OR ANY WARRANTY IMPLIED BY LAW, OR IN THE EVENT THAT ANY LIMITED WARRANTY FAILS OF ITS ESSENTIAL PURPOSE, IN NO EVENT WILL DYCONN'S ENTIRE LIABILITY EXCEED THE PURCHASE PRICE OF THIS PRODUCT. SOME STATES/PROVINCES DO NOT ALLOW THE EXCLUSION OR LIMITATION OF INCIDENTAL OR CONSEQUENTIAL DAMAGES, SO THE ABOVE LIMITATION OR EXCLUSION MAY NOT APPLY TO YOU. THIS WARRANTY GIVES YOU SPECIFIC LEGAL RIGHTS AND YOU MAY ALSO HAVE OTHER RIGHTS THAT VARY FROM STATE TO STATE AND PROVINCE TO PROVINCE.

Technical Support

For technical support, call 1-(855) 839-2666. You may also reach Dyconn technical support at info@dyconn.com